



For more Hi-Fi manuals and set-up information
please visit www.hifiengine.com

ONKYO® SERVICE MANUAL


STEREO CASSETTE TAPE DECK

MODEL TA-RW311

Black model

BMD, BMDN	120V AC, 60Hz
BMP	230V AC, 50Hz

SAFETY-RELATED COMPONENT WARNING!!

COMPONENTS IDENTIFIED BY MARK  ON THE SCHEMATIC DIAGRAM AND IN THE PARTS LIST ARE CRITICAL FOR RISK OF FIRE AND ELECTRIC SHOCK. REPLACE THESE COMPONENTS WITH ONKYO PARTS WHOSE PART NUMBERS APPEAR AS SHOWN IN THIS MANUAL.

MAKE LEAKAGE-CURRENT OR RESISTANCE MEASUREMENTS TO DETERMINE THAT EXPOSED PARTS ARE ACCEPTABLY INSULATED FROM THE SUPPLY CIRCUIT BEFORE RETURNING THE APPLIANCE TO THE CUSTOMER.

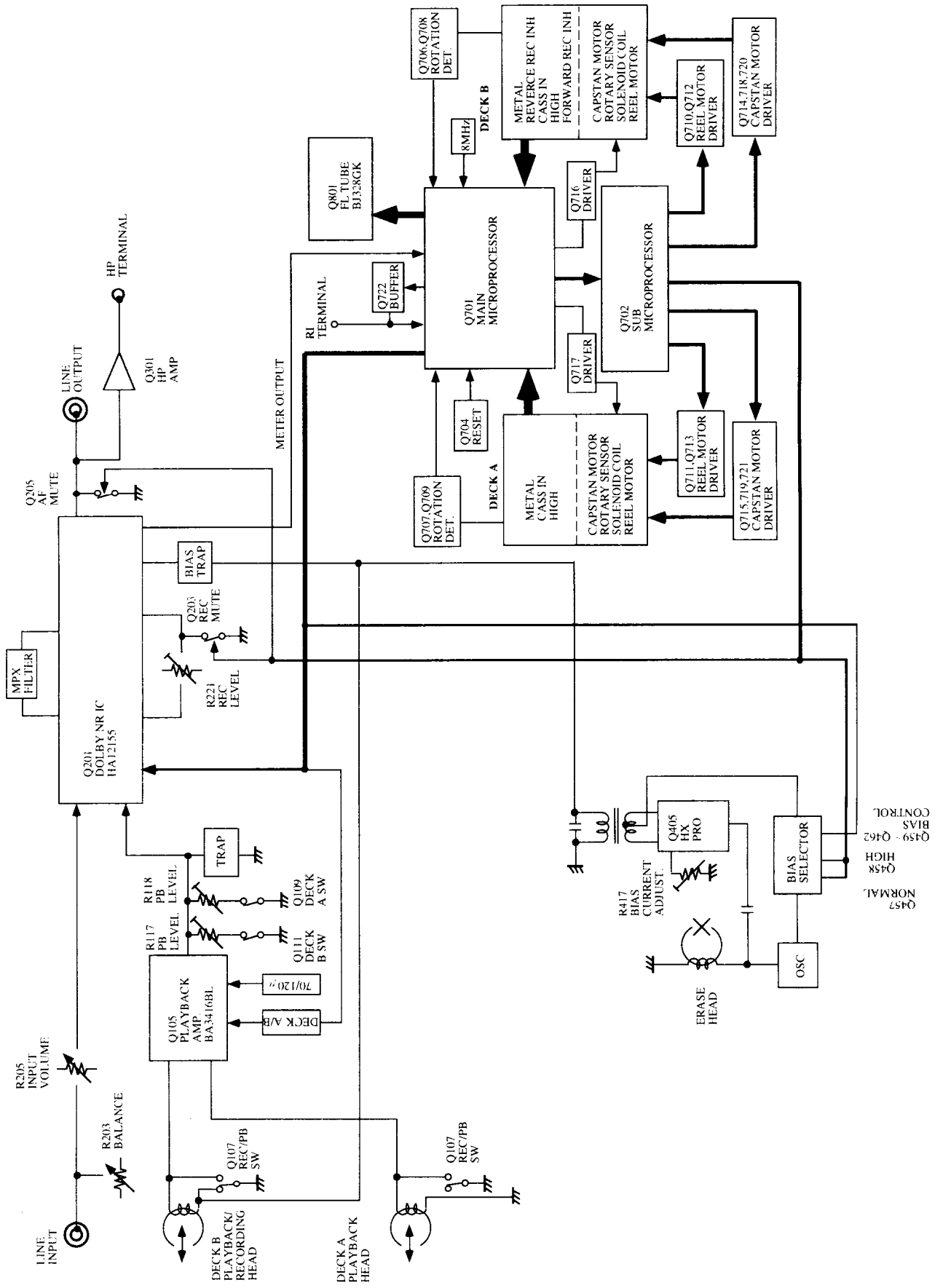
SPECIFICATIONS

- Track Format: 4-track, 2-channels
- Erase System: AC erase
- Tape Speed: 4.8 cm/sec. (1-7/8 i.p.s.)
9.6 cm/sec. (3-3/4 i.p.s.) (high-speed dubbing)
- Wow and Flutter: 0.07 % (WRMS)
- Frequency Response: 20 — 15,000 Hz (Normal)
(30 — 14,000 Hz ± 3 dB)
20 — 16,000 Hz (High)
(30 — 15,000 Hz ± 3 dB)
20 — 17,000 Hz (Metal)
(30 — 16,000 Hz ± 3 dB)
- S/N Ratio: Dolby NR off: 58 dB (metal position tape)
A noise reduction of 10 dB above 5 kHz and 5 dB at 1 kHz is possible with Dolby B NR.
A noise reduction of 20 dB at 5 kHz is possible with Dolby C NR.
- Input Jacks: Line IN: 2
Input sensitivity: 80 mV
Input impedance: 50 kohms
- Outputs: Line OUT: 2
Standard output level: 500 mV (0 dB)
Optimum load impedance: over 50 kohms
- Headphone jack: 1
Optimum load impedance: 8 to 200 ohms
- Motors: DC servo motor × 2, DC motor × 2
- Heads: REC/PB: 1
PB: 1
ERASE: 1
- Power Supply: European and Australian models: AC 230V, 50 Hz
U.S.A. and Canadian models: AC 120V, 60 Hz
Worldwide model: AC 120V and AC 220V, Switchable 50/60 Hz
- Power Consumption: 29 watts
- Dimensions: 455(W) × 120(H) × 305(D) mm (17-15/16" × 4-3/4" × 12")
- Weight: 5.9 kg. (13.0 lbs.)

Specifications and external appearance are subject to change without notice because of product improvements.

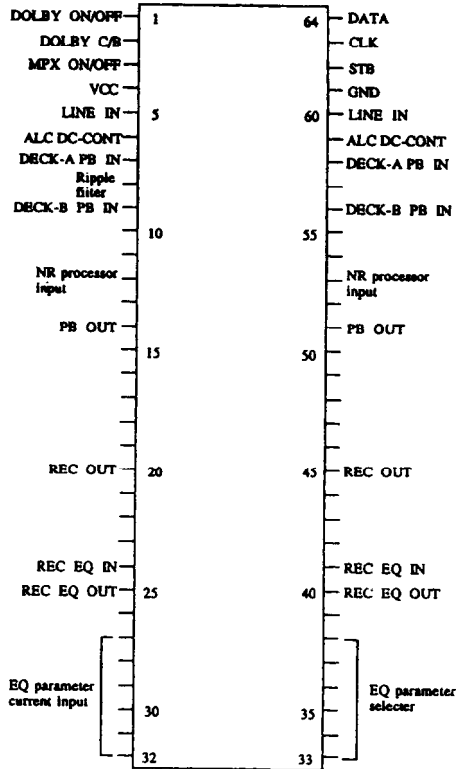


BLOCK DIAGRAM

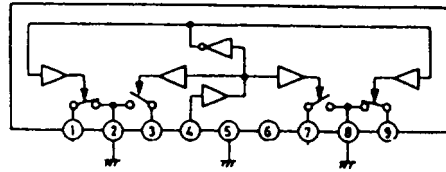


IC BLOCK DIAGRAM

HA12155NT (DOLBY NR)



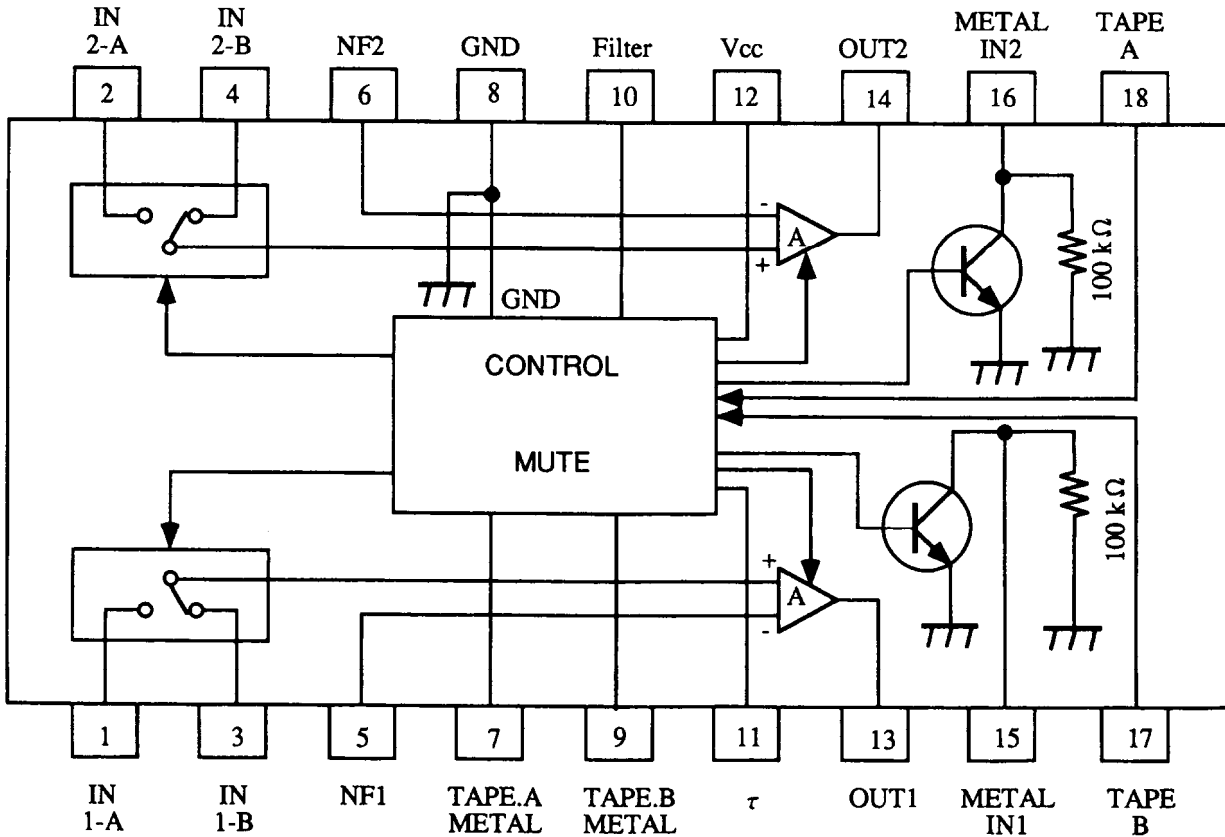
μPC1330HA (REC/PB SW)



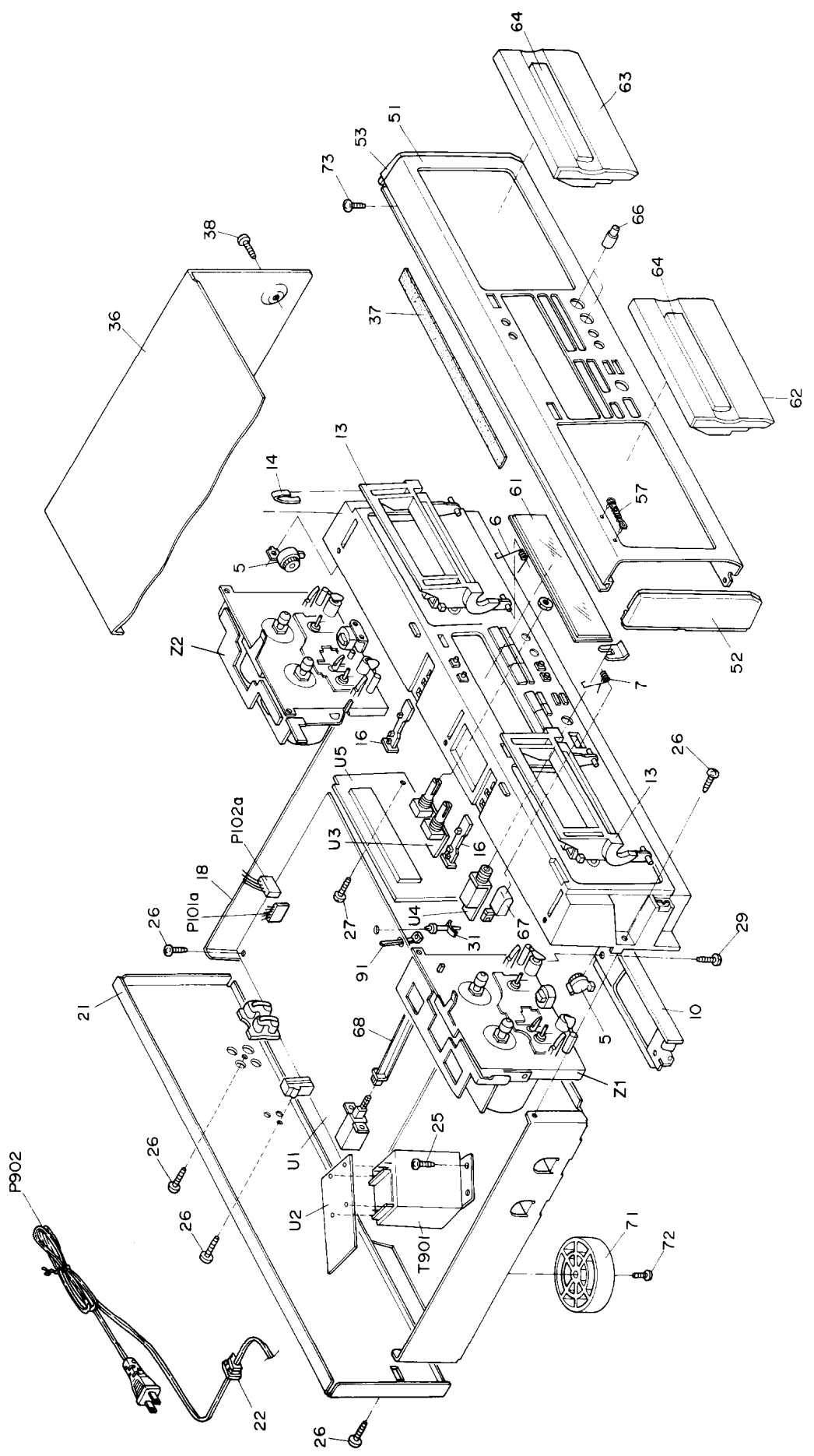
μPC1330HA

Pin No.	Function
1, 9	PB. signal
2	GND
3, 7	REC signal
4	REC/PB SW control
5	GND
6	+B
8	GND

BA3416BL (Dual Playback Preamplifier)



CHASSIS-EXPLODED VIEW



PARTS LIST

REF.NO.	PART NO.	DESCRIPTION	REF. NO.	PART NO.	DESCRIPTION
1	27110879Y	Front bracket ass'y	P101a	2009990350ULY	NSAS-6P0487,Socket for deck A
5	28400282	Damper	P102a	2009990315ULY	NSAS-14P0449,Socket for deck B
6	27180476A	Spring B	P902	253192HIIT	△ AS-UC-6#18,Power supply cord <D>
7	27180477A	Spring A		253193HIIT	△ AS-CEE,Power supply cord <P>
10	27130741Y	Bracket F	T901	2301049Y	△ NPT-1223D,Power transformer <D>
13	27301792AY	Cassette frame		2301050Y	△ NPT-1223P,Power transformer <P>
14	27180435	Spring	U1	1N206586-2Y	NAAR-5086-2,Main circuit pc board ass'y
16	28324943Y	Knob,eject	U2	1N206587-2Y	NAPS-5087-2,Power supply pc board ass'y
18	27100280AY	Chassis	U3	1N206588-2Y	NAETC-5088-2,Input level volume pc board ass'y
21	27121982Y	Rear panel <D>	U4	1N206589-2Y	NAETC-5089-2,Headphone terminal pc board ass'y
22	27122109Y	Rear panel <P>	U5	1N206593-2Y	NADIS-5093-2,Display circuit pc board ass'y
25	830440089	△ Cord bushing	W701	2047291512Y	NCFC-291512,Flat cable
26	838130088	4TTC+8C(BC),Self-tapping screw	Z1	244190Y	NDM-181,Deck mechanism ass'y
27	833430080	3TTB+8B,Self-tapping screw	Z2	244191Y	NDM-182,Deck mechanism ass'y
29	838130088	3TTP+8P(BC),Self-tapping screw			
31	27190480-1Y	3TTB+8B,Self-tapping screw			
36	28184479AY	PCB-8L,Holder			
37	28140837	Top cover			
38	838430088	Cushion			
51	1N206121Y	3TTB+8B(BC),Self-tapping screw			
52	28125248-6Y	Front panel ass'y			
53	28125249-6Y	End cap L			
57	28135199	End cap R			
61	28191696Y	Badge			
62	27301853Y	Clear plate			
63	27301853-1Y	Cassette lid A			
64	28400625Y	Cassette lid B			
66	28323671A	Window			
67	28325053Y	Knob, Volume			
68	27273135BY	Knob, Power			
71	27175292	Joint			
72	838130088	Leg			
73	833430080	3TTB+8B,Self-tapping screw			
91	260208	3TTP+8P(BC),Self-tapping screw Wire tie			

NOTE: <D>: 120V model only
<P>: 230V model only

NOTE: THE COMPONENTS IDENTIFIED BY MARK △ ARE CRITICAL FOR RISK OF FIRE AND ELECTRIC SHOCK. REPLACE ONLY WITH PART NUMBER SPECIFIED.

ADJUSTMENT PROCEDURES

PRECAUTIONS

1. Before adjustment, clean the following parts with an alcohol moistend swab.

- * record/playback head
- * erase head
- * pinch roller
- * capstan

2. Do not use magnetized screwdriver for adjustments.

3. Demagnetize record/playback head with a lead demagnetizer.

TEST EQUIPMENT/TOOLS REQUIRED:

- Audio oscillator
- Digital frequency counter
- Oscilloscope
- Attenuator
- AC voltmeter
- Non-magnetic screwdriver
- Test tapes
 - TCC-153 :10kHz, -15dB
 - MTT-111 :3kHz, -10dB
 - MTT-150 :Dolby level calibration
400Hz, tone 200nWb/m

Tape speed adjustment

Connect the digital frequency counter to the line output terminal.

Load the test tape MTT-111 into the cassette holder .

Connect the test point J285 to the ground to be unit to the adjustment mode.

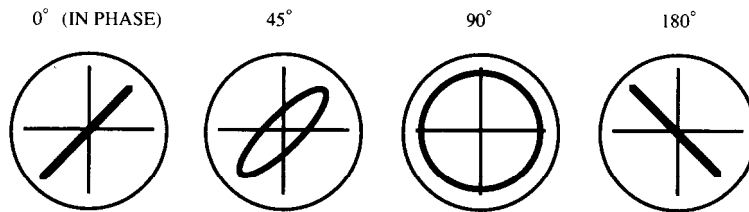
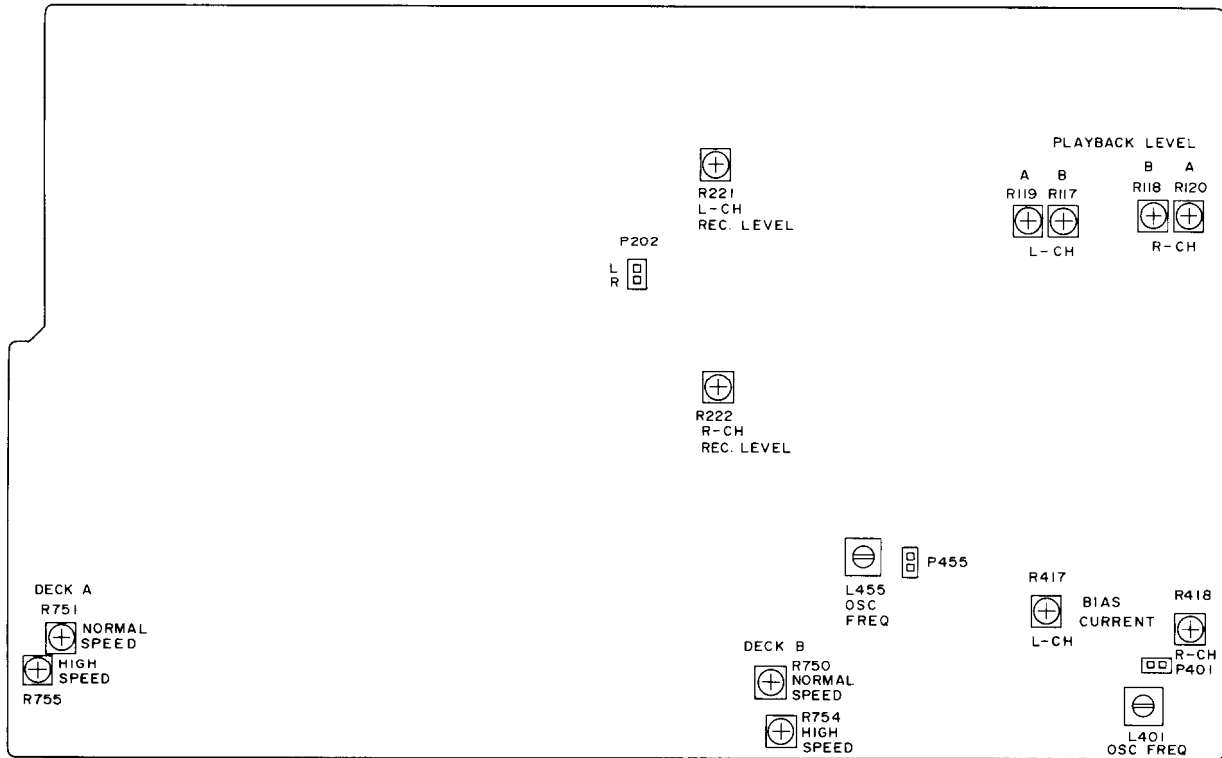
Press the forward play button twice to be unit to the high speed.

Adjust the trim resistors R755(Deck A) and R754(Deck B) so that the frequency counter reading becomes 6000Hz to 6020Hz.

Press the forward play button to be unit to the normal speed.

Adjust the trim resistors R751(Deck A) and R750(Deck B) so that the frequency counter reading becomes 3000Hz to 3010Hz.

Item	Connection of instrument	Line input	Test tape	Mode	Output indicator	Adjustment point	Adjust for	Remarks
Head azimuth	AC voltmeter and oscilloscope to output terminal		TCC-153	Playback	AC voltmeter and Oscilloscope	Head azimuth screw Foward:Left side Reverse:Right side	Maximum and same separation at left and right channels.	Figure 1
Playback level	AC voltmeter to test point P202		MTT-150	Playback	AC voltmeter	Deck A R119(Left channel) R120(Right channel) Deck B R117(Left channel) R118(Right channel)	300mV	
Oscillator block	Frequency counter to test point P401		Metal tape XS-C90	Stop	Frequency counter	L401	107 ± 2kHz	Test mode When you press the stop key, deck becomes recording mode of metal position. Test mode
Bias current	Figure 2	1kHz, -23dB and 12kHz, -23dB	UD-1 C-90	Recording/playback	AC voltmeter	R417(Left channel) R418(Right channel)	Difference of 1kHz and 12kHz become less than 1dB.	When you press the AUTO SPACE key,recording of deck starts. Next when you press the AUTO SPACE key, rewind to recording start point and starts to playback.
Recording level	Figure 2	1kHz 350mV	UD-1 C-90	Recording	AC voltmeter	Attenuator	350mV	When you press the AUTO SPACE key,recording of deck starts. Next when you press the AUTO SPACE key, rewind to recording start point and starts to playback.
				Recording/playback	AC voltmeter	R221(Left channel) R222(Right channel)	Signals of recording and playback become same level	



Confirming phase relationship
Fig.1

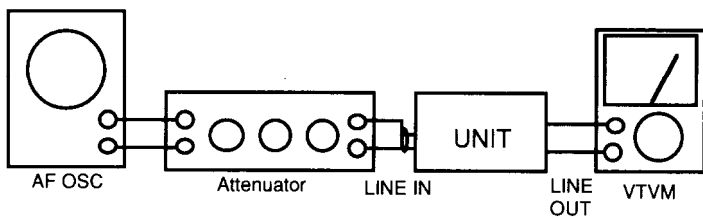


Fig. 2

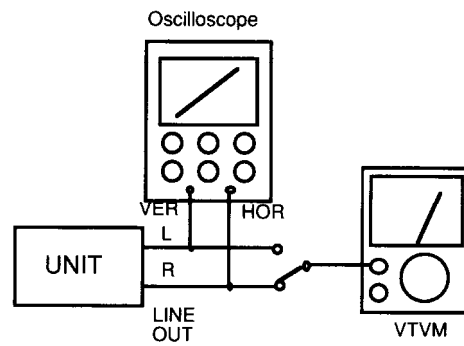
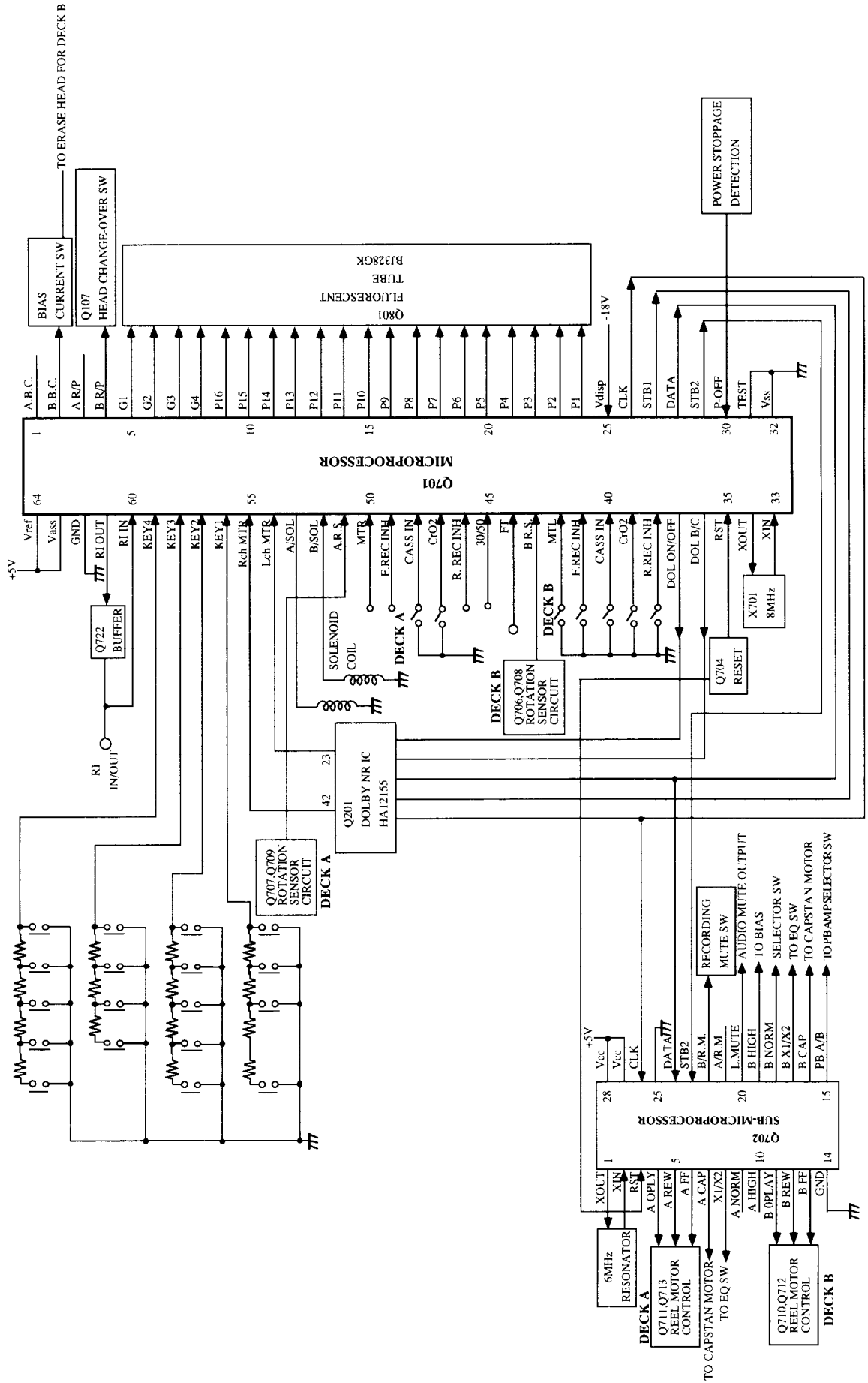


Fig.3

MICROPROCESSOR-CONNECTION DIAGRAM



MICROPROCESSOR-TERMINAL DESCRIPTIONS

MAIN MICROPROCESSOR

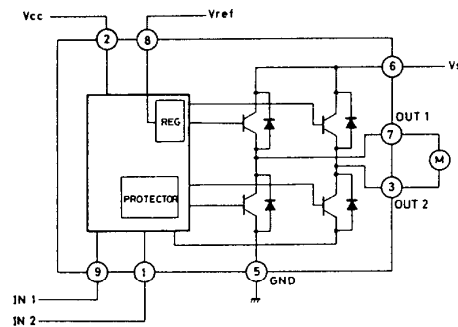
Pin No.	Terminal	Description
1	A B.C.	Bias current change-over control output pin for Deck A
2	B B.C.	Bias current change-over control output pin for Deck B
3	A R/P	Recording/playback head change-over output pin for Deck A
4	B R/P	Recording/playback head change-over output pin for Deck B
5	G1	Grid output pin
6	G2	Grid output pin
7	G3	Grid output pin
8	G4	Grid output pin
9	P16	Segment output pin
10	P15	Segment output pin
11	P14	Segment output pin
12	P13	Segment output pin
13	P12	Segment output pin
14	P11	Segment output pin
15	P10	Segment output pin
16	P9	Segment output pin
17	P8	Segment output pin
18	P7	Segment output pin
19	P6	Segment output pin
20	P5	Segment output pin
21	P4	Segment output pin
22	P3	Segment output pin
23	P2	Segment output pin
24	P1	Segment output pin
25	Vdisp	
26	CLK	Clock output pin
27	STB1	Strobe output pin
28	DATA	Data output pin
29	STB2	Strobe output pin
30	P-OFF	Detection input pin for stoppage of electric current
31	TEST	Test pin
32	Vss	Power supply terminal

Pin No.	Terminal	Description
33	XIN	Ceramic resonator connection pin
34	XOUT	Ceramic resonator connection pin
35	RST	Reset input
36	DOL B/C	Dolby B/C change-over output pin
37	DOL ON/OFF	Dolby change-over output pin
38	R.REC INH	Recording inhibiting detection input pin for reverse side of Deck B.
39	CrO2	High position detection input pin for reverse side of Deck B.
40	CASS IN	Cassette tape detection input pin for reverse side of Deck B.
41	F.REC INH	Recording inhibiting detection input pin for forward side of Deck B.
42	MTL	Metal position detection input pin for reverse side of Deck B.
43	B R.S.	Rotation detection input pin for reel stand of Deck B.
44	FT	Adjustment mode input pin
45	30/50	Initializing input
46	R.REC INH	Recording inhibiting detection input pin for reverse side of Deck A.
47	CrO2	High position detection input pin for reverse side of Deck A.
48	CASS IN	Cassette tape detection input pin for reverse side of Deck A.
49	F.REC INH	Recording inhibiting detection input pin for forward side of Deck A.
50	MTL	Metal position detection input pin for reverse side of Deck A.
51	A.R.S.	Rotation detection input pin for reel stand of Deck A.
52	B/SOL	Solenoid coil drive output pin of Deck B
53	A/SOL	Solenoid coil drive output pin of Deck A
54	Lch mot	Input pin for level meter of left channel
55	Rch mot	Input pin for level meter of right channel
56	KEY1	Operation key connection pin
57	KEY2	Operation key connection pin
58	KEY3	Operation key connection pin
59	KEY4	Operation key connection pin
60	RI IN	Bus signal input pin
61	RI OUT	Bus signal output pin
62	GND	Ground terminal
63	Vass	Power supply pin
64	Vref	Power supply pin

SUB-MICROPROCESSOR

Pin No.	Function	Description
1	XOUT	Ceramic resonator connection pins
2	XIN	Connect the 6.0MHz ceramic resonator.
3	RST	System reset input pin
4	A OPLY	Reel motor control output pin for Deck A
5	A REW	Rewind control output pin for Deck A
6	A FF	Fast forward control output pin for Deck A
7	A CAP	Capstan motor control output pin for Deck A
8	A X1/X2	Capstan motor rotation speed control output for deck A
9	A NORM	Recording equalizer and bias current selector output pin for deck A
10	A HIGH	Recording equalizer and bias current selector output pin for deck A
11	B OPLY	Reel motor control output pin for Deck B
12	B REW	Rewind control output pin for Deck B
13	B FF	Fast forward control output pin for Deck B
14	GND	Ground pin
15	PB A/B	Playback amplifier selector pin
16	B CAP	Capstan motor control output pin for Deck B
17	B X1/X2	Capstan motor rotation speed control output for deck B
18	B NORM	Recording equalizer and bias current selector output pin for deck B
19	B HIGH	Recording equalizer and bias current selector output pin for deck B
20	L.MUTE	Audio muting control output pin
21	A/R.M.A.	Recording muting control pin for deck A
22	B/R.M.	Recording muting control pin for deck B
23	STB2	Strobe input pin
24	DATA	Data input pin
25		
26	CLK	Clock input pin
27	Vcc	Power supply pin
28	Vcc	Power supply pin

TA-7291S (MOTOR DRIVE)



INPUT		OUTPUT		MODE
IN 1	IN 2	OUT 1	OUT 2	
0	0	∞	∞	STOP
1	0	H	L	CW/CCW
0	1	L	H	CCW/CW
1	1	L	L	BRAKE

A

B

C

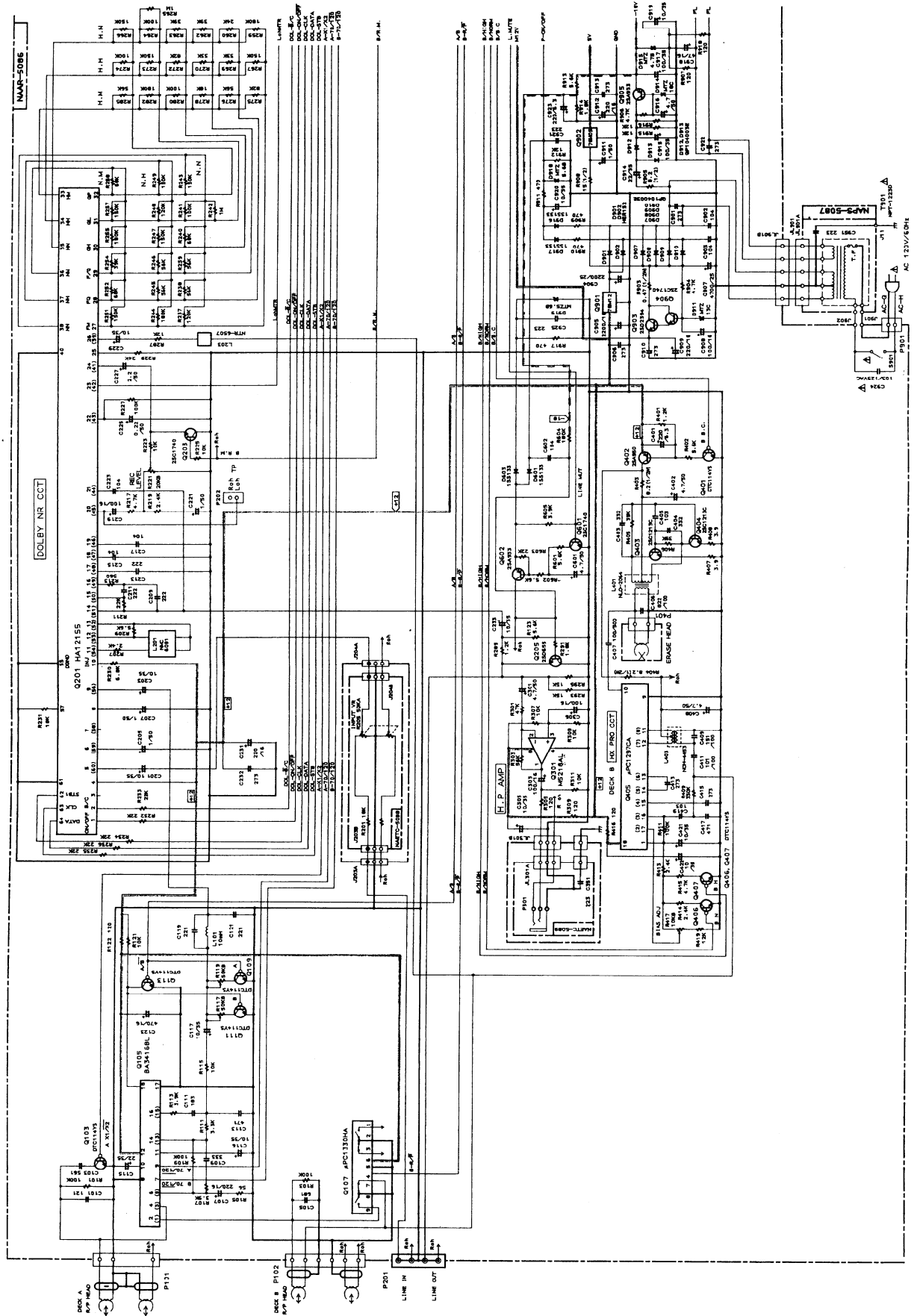
D

E

F

G

SCHEMATIC DIAGRAM



1

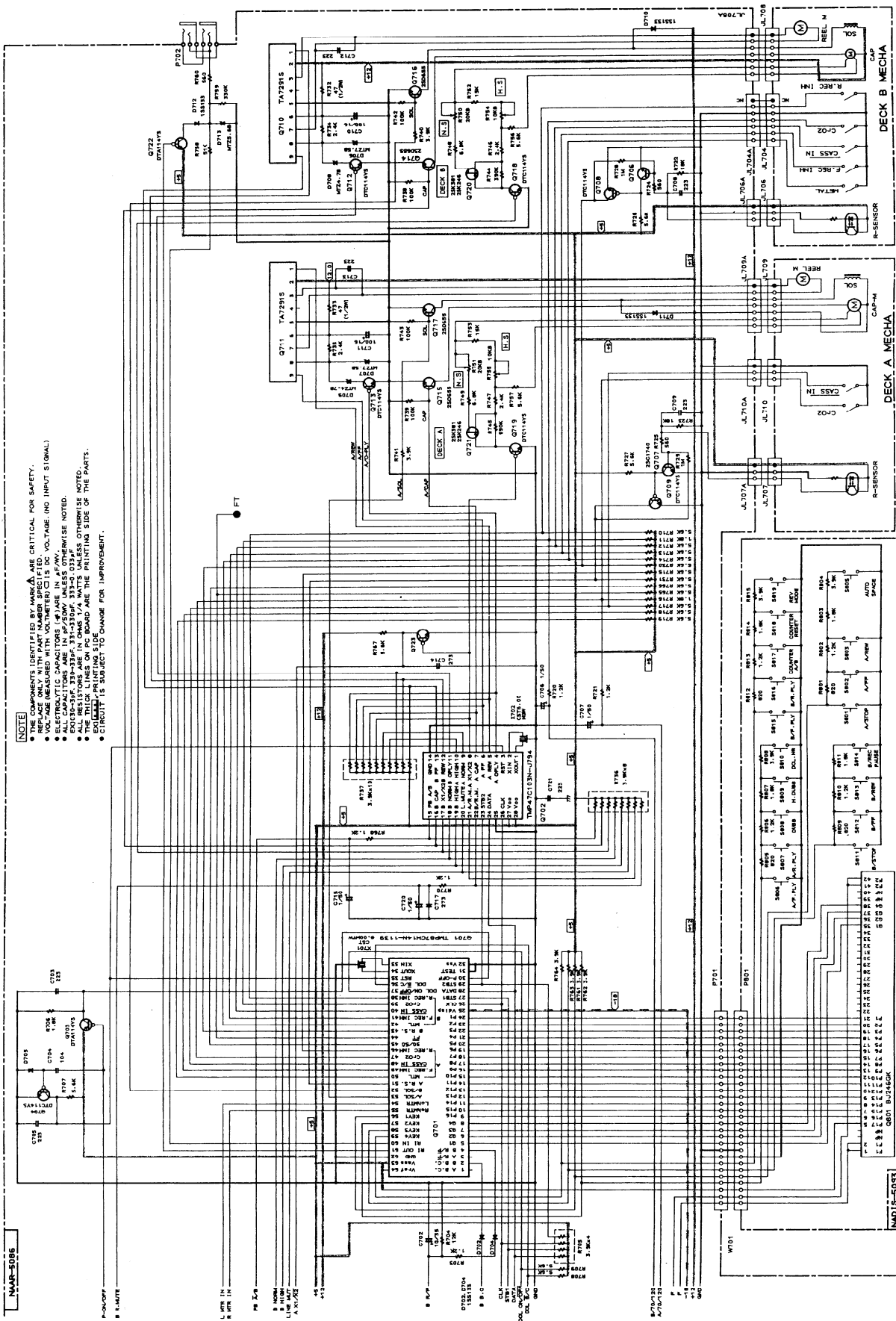
2

3

4

5

SCHEMATIC DIAGRAM

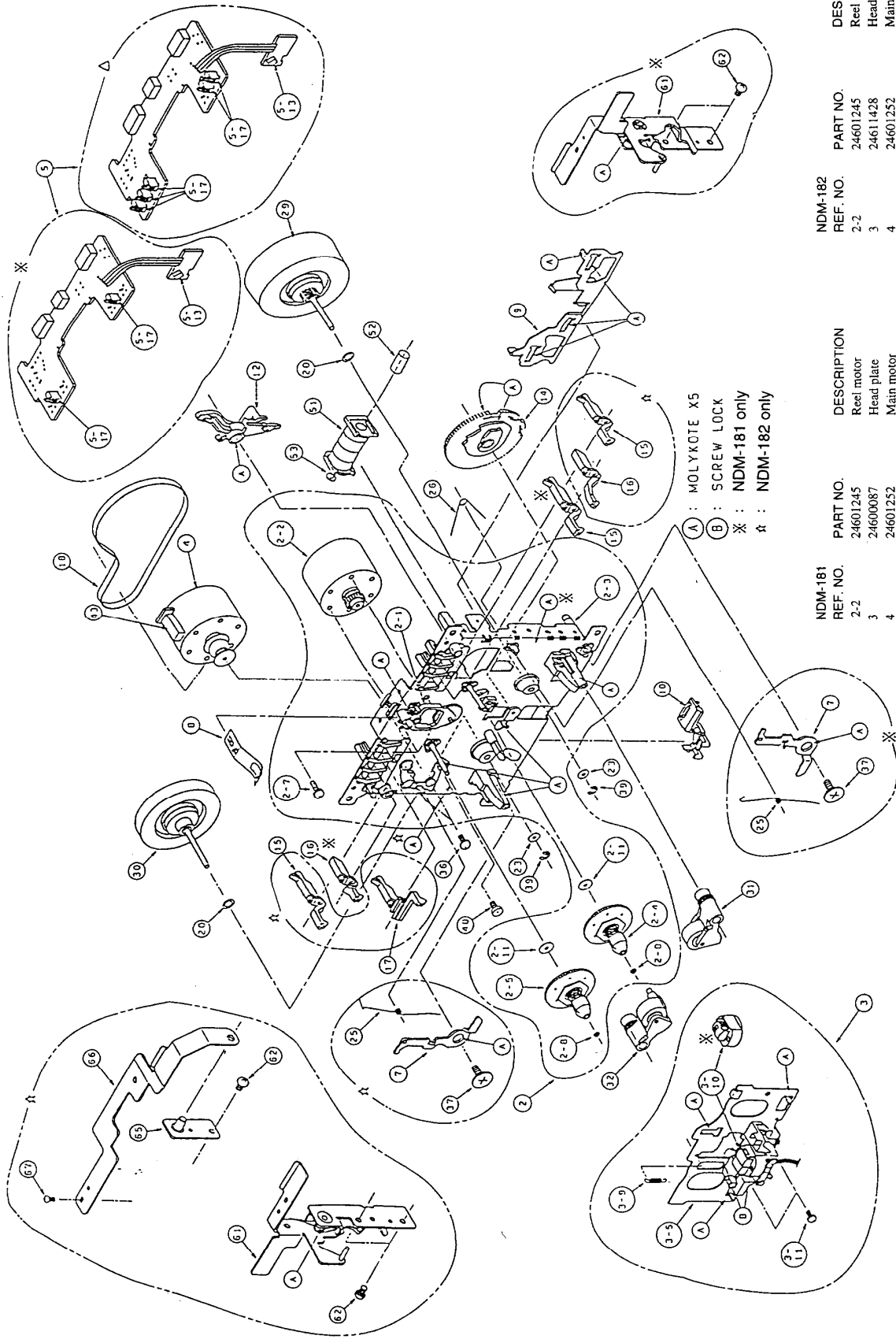


PRINTED CIRCUIT BOARD-PARTS LIST

MAIN CIRCUIT NO.	PC BOARD DESCRIPTION	CIRCUIT NO.	PART NO.	DESCRIPTION	CIRCUIT NO.	PART NO.	DESCRIPTION
Q105	22240767	D706	D707	224450752	D706	D707	224450752
Q107	22240147	D708	D709	224450472	D708	D709	224450472
Q201	22240544	D710	D712	223163	D710	D712	223163
Q301	22240369	D901	D902	22380031	D901	D902	22380031
Q405	222959	D907	D910	22380035	D907	D910	22380035
Q701	22240822	D911	D913	224451303	D911	D913	224451303
Q702	22240823	D912	D913	22380035	D912	D913	22380035
Q710	22240239	D914	D915	224451803	D914	D915	224451803
Q901	222780125MIT	D915	D917	224470683	D915	D917	224470683
Q902	222780055NEC	D916	D917	223163	D916	D917	223163
Q103	221281	D918	D919	224450562	D918	D919	224450562
Q109	221281	D918	D919	224450562	D918	D919	224450562
Q203	2213284 or	D918	D919	224450562	D918	D919	224450562
Q205	2213285	D918	D919	224450562	D918	D919	224450562
Q206	2211705 or	D918	D919	224450562	D918	D919	224450562
Q401	221281	D918	D919	224450562	D918	D919	224450562
Q402	2211504	D918	D919	224450562	D918	D919	224450562
Q403	2201883	D918	D919	224450562	D918	D919	224450562
Q406	221281	D918	D919	224450562	D918	D919	224450562
Q601	2213284 or	D918	D919	224450562	D918	D919	224450562
Q706	2213285	D918	D919	224450562	D918	D919	224450562
Q602	2213354 or	D918	D919	224450562	D918	D919	224450562
Q703	2213355	D918	D919	224450562	D918	D919	224450562
Q704	2213090	D918	D919	224450562	D918	D919	224450562
Q708	221281	D918	D919	224450562	D918	D919	224450562
Q712	221281	D918	D919	224450562	D918	D919	224450562
Q714	2211705 or	D918	D919	224450562	D918	D919	224450562
Q718	2211706	D918	D919	224450562	D918	D919	224450562
Q720	221281	D918	D919	224450562	D918	D919	224450562
Q723	221281	D918	D919	224450562	D918	D919	224450562
Q903	2202705 or	D918	D919	224450562	D918	D919	224450562
Q904	2202706	D918	D919	224450562	D918	D919	224450562
D601	223163	D918	D919	224450562	D918	D919	224450562
D701	223163	D918	D919	224450562	D918	D919	224450562
D704	223163	D918	D919	224450562	D918	D919	224450562
D705	223163	D918	D919	224450562	D918	D919	224450562
Q103	221281	D918	D919	224450562	D918	D919	224450562
Q109	221281	D918	D919	224450562	D918	D919	224450562
Q203	2213284 or	D918	D919	224450562	D918	D919	224450562
Q205	2213285	D918	D919	224450562	D918	D919	224450562
Q206	2211705 or	D918	D919	224450562	D918	D919	224450562
Q401	221281	D918	D919	224450562	D918	D919	224450562
Q402	2211504	D918	D919	224450562	D918	D919	224450562
Q403	2201883	D918	D919	224450562	D918	D919	224450562
Q406	221281	D918	D919	224450562	D918	D919	224450562
Q601	2213284 or	D918	D919	224450562	D918	D919	224450562
Q706	2213285	D918	D919	224450562	D918	D919	224450562
Q602	2213354 or	D918	D919	224450562	D918	D919	224450562
Q703	2213355	D918	D919	224450562	D918	D919	224450562
Q704	2213090	D918	D919	224450562	D918	D919	224450562
Q708	221281	D918	D919	224450562	D918	D919	224450562
Q712	221281	D918	D919	224450562	D918	D919	224450562
Q714	2211705 or	D918	D919	224450562	D918	D919	224450562
Q718	2211706	D918	D919	224450562	D918	D919	224450562
Q720	221281	D918	D919	224450562	D918	D919	224450562
Q723	221281	D918	D919	224450562	D918	D919	224450562
Q903	2202705 or	D918	D919	224450562	D918	D919	224450562
Q904	2202706	D918	D919	224450562	D918	D919	224450562
D601	223163	D918	D919	224450562	D918	D919	224450562
D701	223163	D918	D919	224450562	D918	D919	224450562
D704	223163	D918	D919	224450562	D918	D919	224450562
D705	223163	D918	D919	224450562	D918	D919	224450562

NOTE: THE COMPONENTS IDENTIFIED BY MARK Δ ARE CRITICAL FOR RISK OF FIRE AND ELECTRIC SHOCK. REPLACE ONLY WITH PART NUMBER SPECIFIED.

MECHANISM-EXPLODED VIEW



A : MOLYKOTE X5
 B : SCREW LOCK
 * : NDM-181 only
 † : NDM-182 only

REF. NO.	PART NO.	DESCRIPTION
2-2	24601245	Reel motor
3	24611428	Head plate
4	24601252	Main motor
5	24606534	Control pcb
18	24602551	Main belt
31	24602541	Pinch roller R
32	24602589	Pinch roller L

REF. NO.	PART NO.	DESCRIPTION
2-2	24601245	Reel motor
3	24600087	Head plate
4	24601252	Main motor
5	24606533	Control pcb
18	24602551	Main belt
31	24602541	Pinch roller R
32	24602589	Pinch roller L

PRINTED CIRCUIT BOARD-PARTS LIST

CIRCUIT NO.	PART NO.	DESCRIPTION
	Capacitors	
C482	354780479	4.7μ F,50V,Elect.
C702	354761009	10μ F,35V,Elect.
C704	374721044	0.1μ F±5%,50V,Plastic
C706,C707	354780109	1μ F,50V,Elect.
C710,C711	354741019	100μ F,16V,Elect.
C715,C720	354780109	1μ F,50V,Elect.
C901,C906	374722734	0.027μ F±5%,50V,Plastic
C902,C903	374721044	0.1μ F±5%,50V,Plastic
C904	393352227	2200μ F,25V,Elect.
C905	393342227	2200μ F,16V,Elect.
C907	393354727	4700μ F,25V,Elect.
C908,C912	354741019	100μ F,16V,Elect.
C909	354742219	220μ F,16V,Elect.
C910,C913	374722734	0.027μ F±5%,50V,Plastic
C911	354780109	1μ F,50V,Elect.
C914	354762209	22μ F,35V,Elect.
C915,C917	354761019	100μ F,35V,Elect.
C916	354780479	4.7μ F,50V,Elect.
C918,C923	354744709	47μ F,16V,Elect.
C919,C920	354761009	10μ F,35V,Elect.
C922	374722734	0.027μ F±5%,50V,Plastic
C924	3500065A	DE7150FZ103P, AC400V/125V, IS
	Resistors	
R117-R120	5210265	N06HR50KBC, Trimming
R221,R222	5210263	N06HR20KBC, Trimming
R403,R404	453530824	8.2Ω±5%,1/2W,Metal
R417,R418	5210262	N06HR10KBC, Trimming
R705	49163392404	RM1/10IJ, 3.9K×4, Array
R732,R733	443524704	4Ω±5%,1/2W,Metal oxide
R736	49163392408	RM1/10IJ, 3.9K×8, Array
R737	49163392410	RM1/10IJ, 3.9K×10, Array
R750,R751	5210263	N06HR20KBC, Trimming
R754,R755	5210262	N06HR10KBC, Trimming
R903	453534794	0.47Ω±5%,1/2W,Metal
R905	453530824	8.2Ω±5%,1/2W,Metal
R908	443521504	15Ω±5%,1/2W,Metal oxide
	Plugs	
P102	25055136	NPLG-6P120
P103	25055133	NPLG-3P117
P202	25055038	NPLG-2P29
P401	25055132	NPLG-2P116
P901	25055675	NPLG-2P631
	Socket	
P701	25050861	NSCT-29P656

CIRCUIT NO.	PART NO.	DESCRIPTION
	Wire traps	
JL203a,JL204a	25050267	NSCT-3P95
JL301b	25055624	NPLG-3P586
JL901b	25050269	NSCT-5P97
	Wire holders	
JL704a,JL705a	25051101	NSCT-7P888
JL706a,JL707a	25051097	NSCT-3P884
JL708a,JL709a	25051101	NSCT-7P888
JL710a	25051097	NSCT-3P884
	Terminals	
P201	25045329	NPJ-4PDBL183
P702	25045330	NPJ-2PDBL184, RI"
	Switch	
S901	25035636	NPS-111-L590P

POWER SUPPLY CIRCUIT PC BOARD (NAPS-5087-2/2A)

CIRCUIT NO.	PART NO.	DESCRIPTION
JL901a	25051109	NSCT-5P896, Wire holder

INPUT LEVEL VOLUME PC BOARD (NAETC-5088-2)

CIRCUIT NO.	PART NO.	DESCRIPTION
	Resistor	
R205,R206	5104346Y	N09RGL50KA15F, Variable

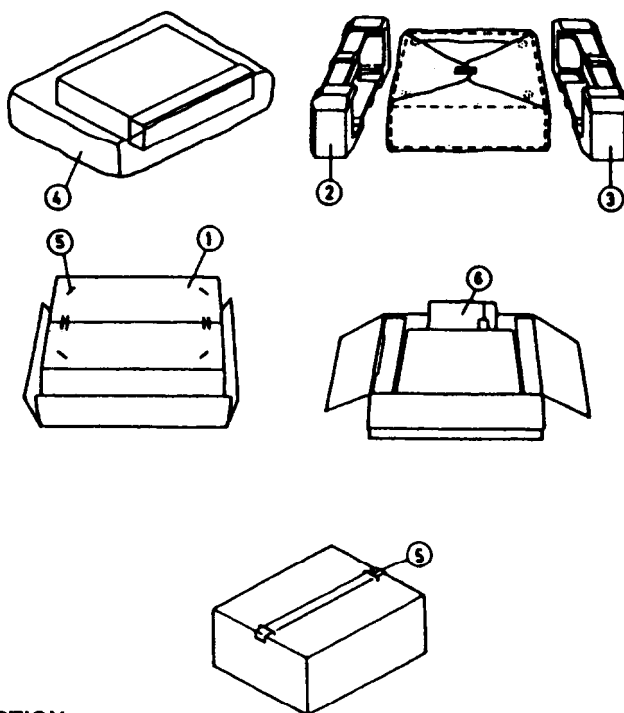
HEADPHONE TERMINAL PC BOARD (NAETC-5089-2)

CIRCUIT NO.	PART NO.	DESCRIPTION
P301	25045255	YKB21-5009, Jack
JL301a	25051087	NSCT-3P874, Wire holder

DISPLAY CIRCUIT PC BOARD (NADIS-5093-2)

CIRCUIT NO.	PART NO.	DESCRIPTION
	FL tube	
Q801	212137	BJ328GK
	Switches	
S801-S803	25035652	NPS-111-S604, P SW
S804-S819	25035652	NPS-111-S604, P SW
	Socket	
P801	25050893	NSCT-29P688
	Holder	
	27190939Y	FL

PACKING VIEW



REF.NO.	PART NO.	DESCRIPTION
1	29052818Y	Carton box
2	29091636-1BY	Pad L
3	29091637-1BY	Pad R
4	29100034-1Y	650×850mm, Styren bag
5	282301	Staple
6	Accessory bag ass'y	
	29342035Y	Instruction manual, English
	29342147Y	Instruction manual U6 <P>
	29342117Y	Instruction manual U3 <C>
	2010244Y	Connection cord
	29100097-1Y	350×250mm, Styren bag
	29365019B	Warranty card <N>
	29358002K	Service station list <N>
	29361773Y	Label UPC <N>
	29361759Y	Label CUL <N/C>

NOTE: <P>: 230V model only
 <N>: U.S.A. model only
 <C>: Canadian model only

ONKYO CORPORATION

Sales Planning & Promotion Dept.: 2-1, Nisshin-cho, Neyagawa-shi, OSAKA 572, JAPAN
 Tel: 0720-31-8111 Fax: 0720-33-5222

ONKYO U.S.A. CORPORATION

200 Williams Drive, Ramsey, N.J. 07446, U.S.A.
 Tel: 201-825-7950 Fax: 201-825-8150

ONKYO DEUTSCHLAND GMBH ELECTRONICS

Industriestrasse 18-20, 82110 Germering, GERMANY
 Tel: 089 84 93 20 Fax: 089 84 93 226

ONKYO FRANCE

Immeuble Le Diamant, Domaine Technologique de Saclay, 4 Rue René Razel,
 91892 SACLAY, FRANCE Tel: (1) 69 33 14 00 Fax: (1) 69 41 35 84